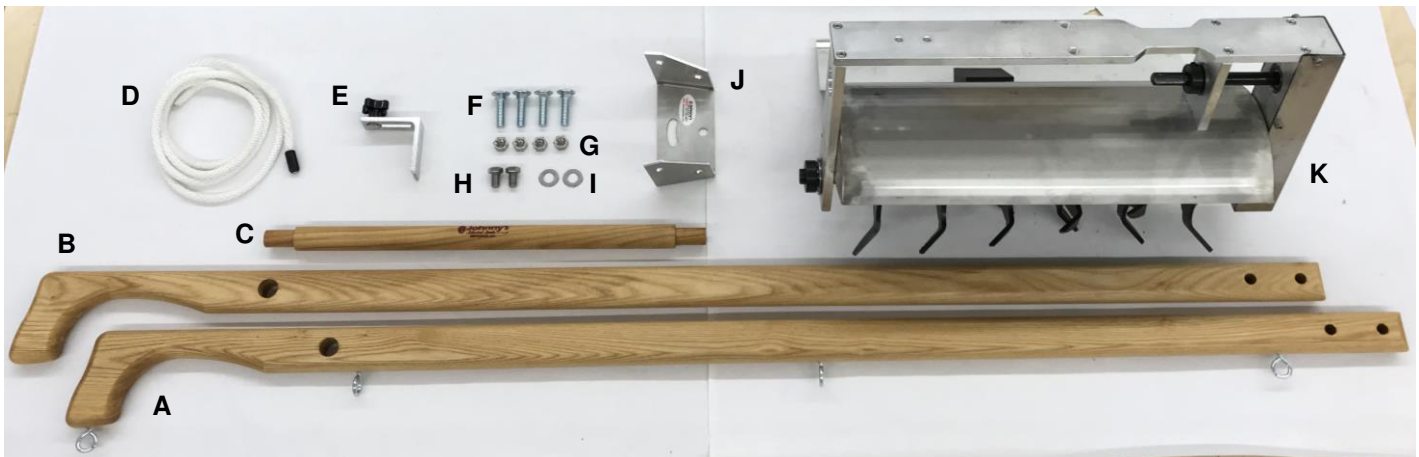




955 Benton Ave., Winslow, ME 04901 • Phone: 1-877-564-6697 • Fax: 1-800-738-6314
 Email: service@johnnyseeds.com • Web Site: Johnnyseeds.com



The Tilther is a versatile, lightweight tool conceptualized by Eliot Coleman for preparing the top two inches of soil to create a perfect tilth for both direct-seeded and transplanted crops. The curved, steel tines are powered by a standard cordless drill to efficiently break up soil clods, chopping up residues from previously planted crops, and incorporating compost and other soil amendments before planting. The Tilther is 15 inches wide which makes it a great choice for a 30-inch-wide bed system. The Tilther is not designed for initial tilling of native ground or areas with substantial crop residue.



Parts Included:

- A. Wooden handle with screw eyes
- B. Wooden handle
- C. Wooden cross rod
- D. Rope
- E. L-bracket with mounting hardware
- F. (4) $\frac{3}{8}$ " x $1\frac{1}{2}$ " carriage bolts
- G. (4) $\frac{3}{8}$ " x $\frac{9}{16}$ " hex nuts
- H. (2) $\frac{3}{8}$ " x $\frac{5}{8}$ " hex bolts
- I. (2) $\frac{3}{8}$ " flat washers
- J. Handle mount
- K. Assembled Tilther body

Additional Tools Needed:

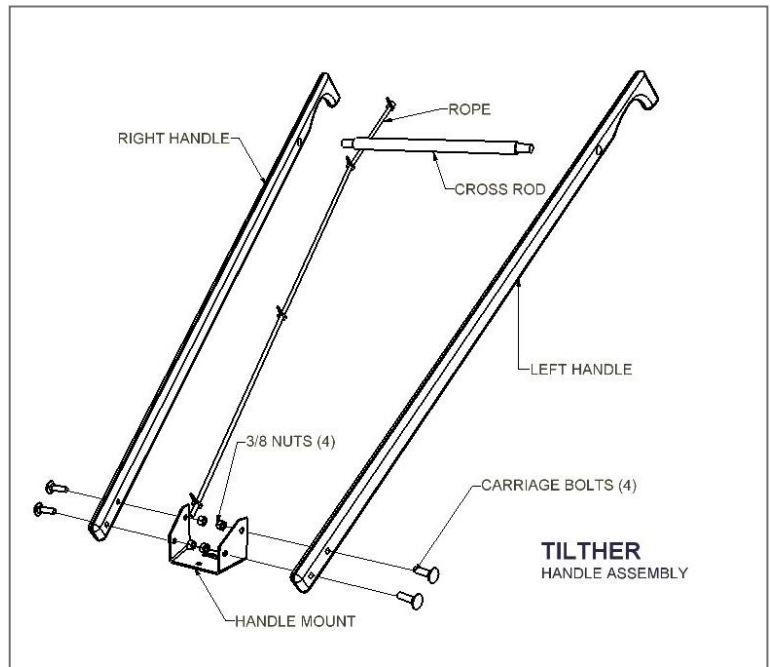
- $\frac{9}{16}$ " wrench or socket set
- Screwdriver
- Cordless drill with a $\frac{1}{2}$ inch (13mm) chuck
- Cordless drill battery, 18V or larger
- $\frac{5}{32}$ " Allen wrench

ASSEMBLY

HANDLES

Assemble the handles as shown in the figure to the right. Attach the handle with the screw eyes (A) to the right side of the mounting bracket with the carriage bolts (F) and hex nuts (G). Next, insert the cross rod (C) into the hole at the top of the right handle and slide the left handle (B) onto the other side of the cross rod. Bend the left handle into position on the mounting bracket and attach with the remaining carriage bolts and nuts. See right.

Attach the handle mount (J) to the assembled Tilter body (K) with the two hex bolts (H) and washers (I).



SECURING THE DRILL

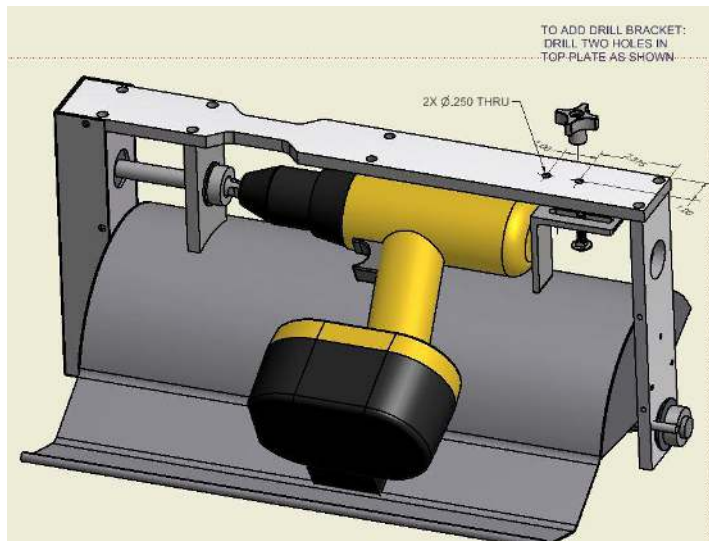
Remove the battery from the drill so the tines will not engage while you are securing it. Next, tighten the drill chuck to the drive shaft. Make certain that the jaws of the chuck land on flat parts of the drive shaft. The battery pack of the drill rests on the rubber pad when in use. See right.

Note: When operating the Tilter, your drill should be set to the lowest gear and the highest torque setting, which is often indicated with a drill symbol.



ATTACHING THE L-BRACKET

Attach the L-bracket (E) to one of the holes in the top of the Tilter frame with the mounting hardware provided. Use the hole that best secures your drill model. The L-bracket is a newer feature on the Tilter that keeps the drill from backing off the drive shaft while in use.



L-BRACKET FOR OLDER TILTHERS

You can add the L-bracket to an older Tilter model by drilling holes in the aluminum frame. See left.

This information, along with a drilling template is included when you purchase the Tilter L-Bracket (part #9286.100)

ATTACHING THE ROPE

Tie the rope to the screw eye at the grip end of the right handle and thread the rope through the remaining screw eyes, ending at the Tilther body. Bring the rope around the drill's trigger and tie it to the open hole of the frame as shown in the photo to the right. The rope should be snug around the trigger without depressing. Use a knot like a bowline that will not loosen easily.

How to Tie a Bowline



HANDLE ADJUSTMENT

The adjustable handle mount (J) allows the user to offset the handles to easily prepare garden beds while walking in the footpaths. To adjust the handle left or right, loosen the two hex head bolts using a 9/16" wrench, pivot the handle to the desired location, and secure in place. See right.

Note: You may need to re-tie the rope if you adjust the handle mount.



OPERATION & USE

- This tool is NOT for initial tillage of native ground and should be used only on previously worked soils without heavy debris and crop residues.
- The Tilther should be used with the drill set on the lowest gear and on the highest torque setting, which is often indicated with a drill symbol. Be certain the rotation direction of the drill is forward, not backward.
Note: Please reference the owner's manual for your drill for information about settings.
- To operate, gently pull the rope by gripping the handle your right hand. See right. The movement of the tines will pull the Tilther forward. Restrain this movement while walking forward at whatever pace is needed to prepare the soil to your desired depth.
- The Tilther's stainless steel housing includes a skirt that levels the soil as you go, resulting in a smooth seeding surface. Experiment with the angle at which you hold the handles to find a position to achieve your desired result.



WARNING: To avoid bodily harm, ALWAYS disconnect the battery from the drill before clearing debris from the tines or making any adjustments.

MAINTENANCE

- Always store your Tilther clean and dry.
- Remove the chain guard with a 5/32" Allen wrench and grease or oil the chain monthly. See right.



REV 08/21/18 JG, Id